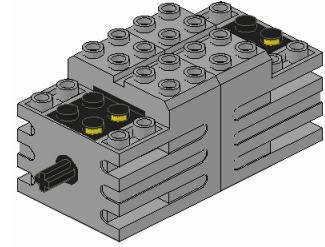
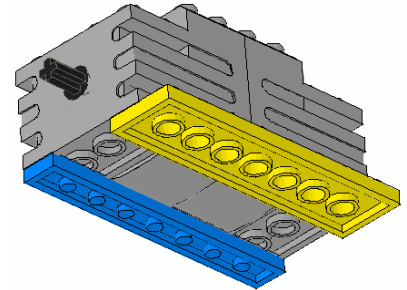


Instructions for a Two-Motored Car

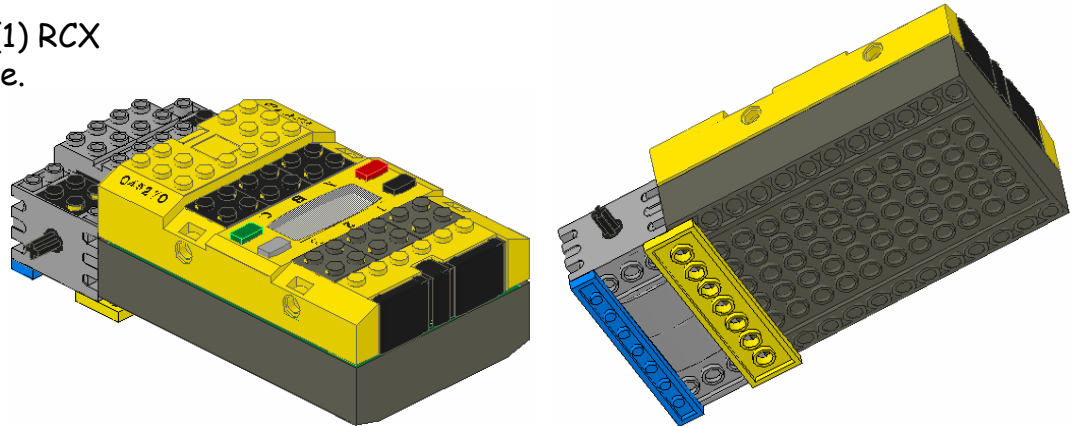
Step 1: Line up two (2) motors back-to-back.



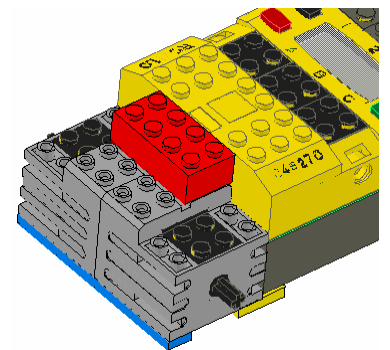
Step 2: Attach one (1) 1x8 plate and one (1) 2x8 plate to the bottom of the motors.



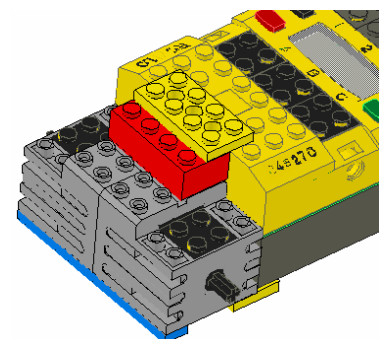
Step 3: Attach one (1) RCX to the 2x8 yellow plate.



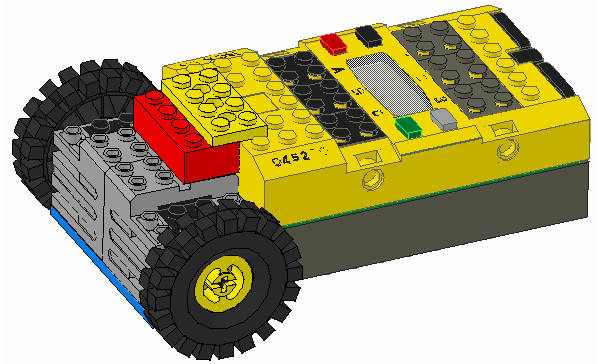
Step 4: Attach one (1) 2x4 brick on top of the motors.



Step 5: Attach one (1) 2x4 plate to connect the red brick to the RCX.

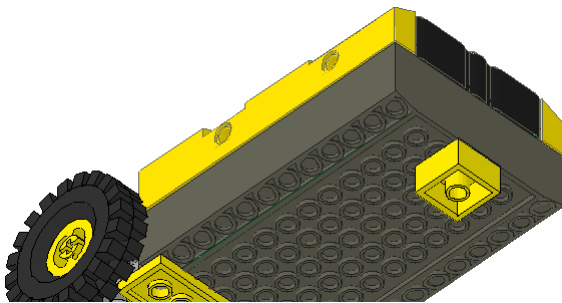


Step 6: Attach two (2) medium wheels, one on each motor.

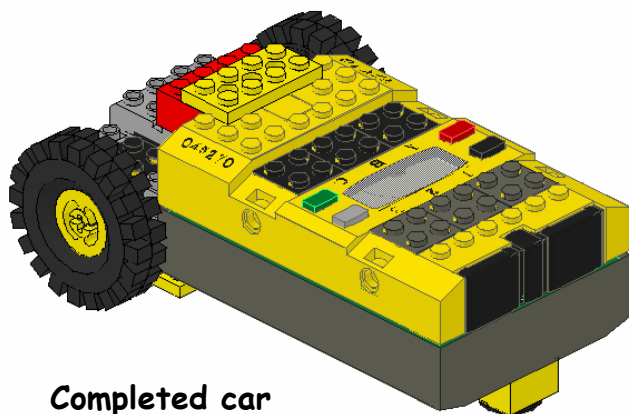
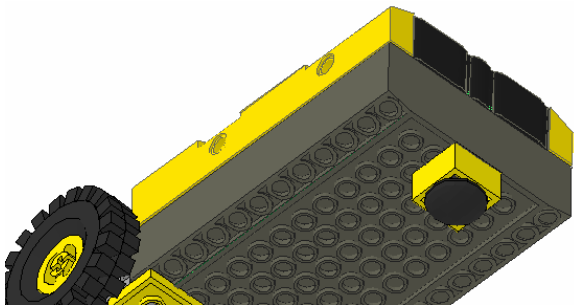


Option 1

Step 7: Attach one (1) 2x2 brick to the bottom of the RCX.



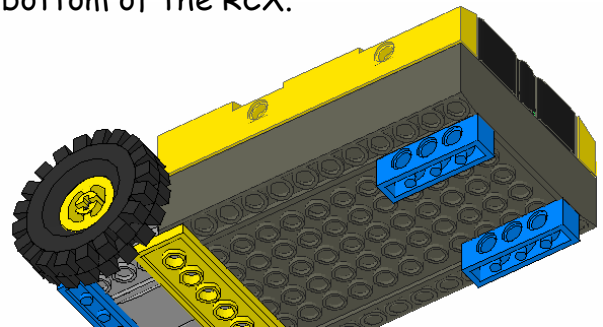
Step 8: Attach one (1) skid plate to the bottom of the yellow brick. (A "skid plate" is a small black button-like piece. Smooth side faces down.)



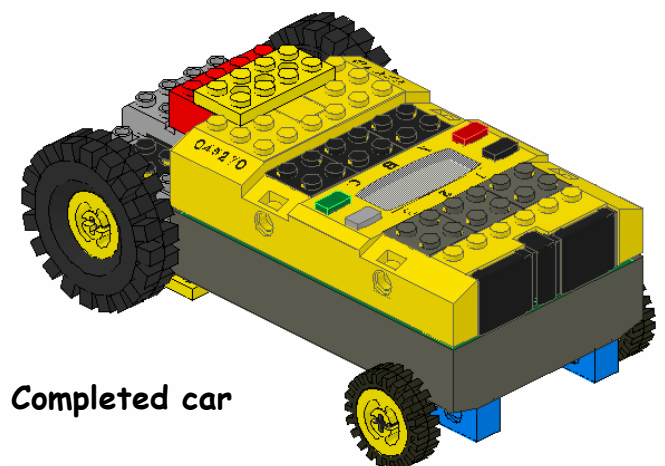
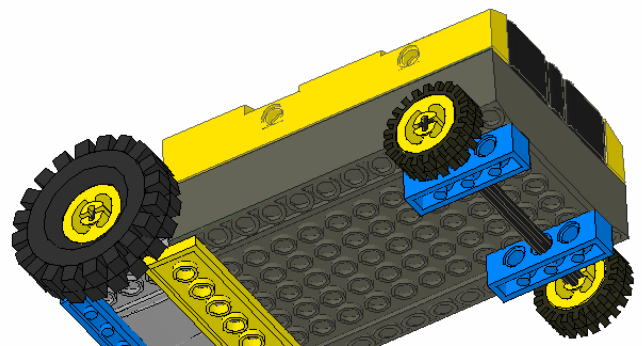
Completed car

Option 2

Step 7: Attach two (2) 1x4 beam to the bottom of the RCX.



Step 8: Slide one (1) long axle through the middle holes of the beams. Attach two (2) small wheels on the ends of the axle.



Completed car